



HBS-0060-1 SINGLE TOWER DESICCANT AIR DRYER GENERAL ARRANGEMENT

TOLERANCES UNLESS OTHERWISE SPECIFIED:

- FRACTIONS = ± 1/4 "
- ANGLES = ± 3°
- INCHES = ± 1/2 "
- FINISH = 250

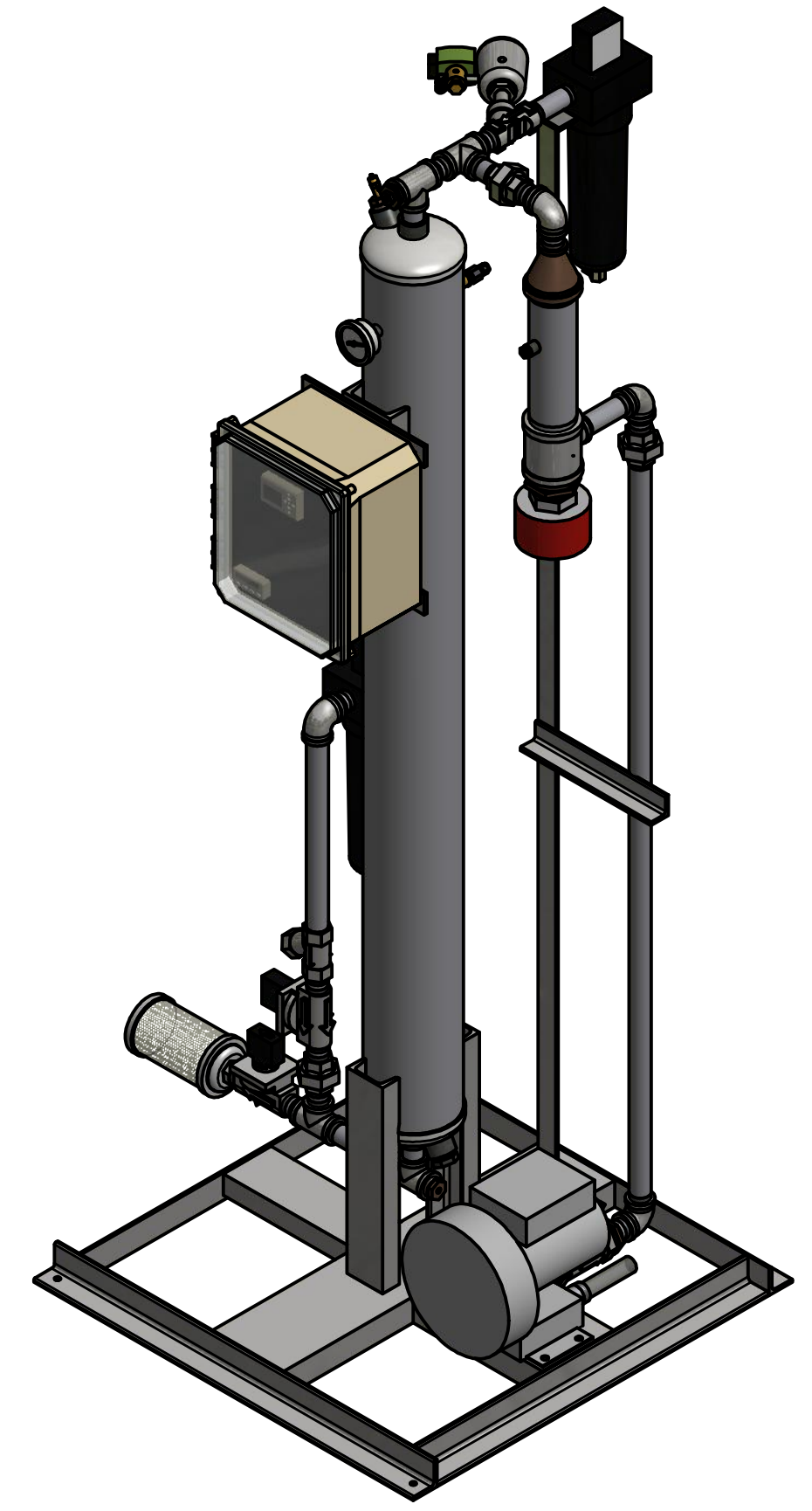
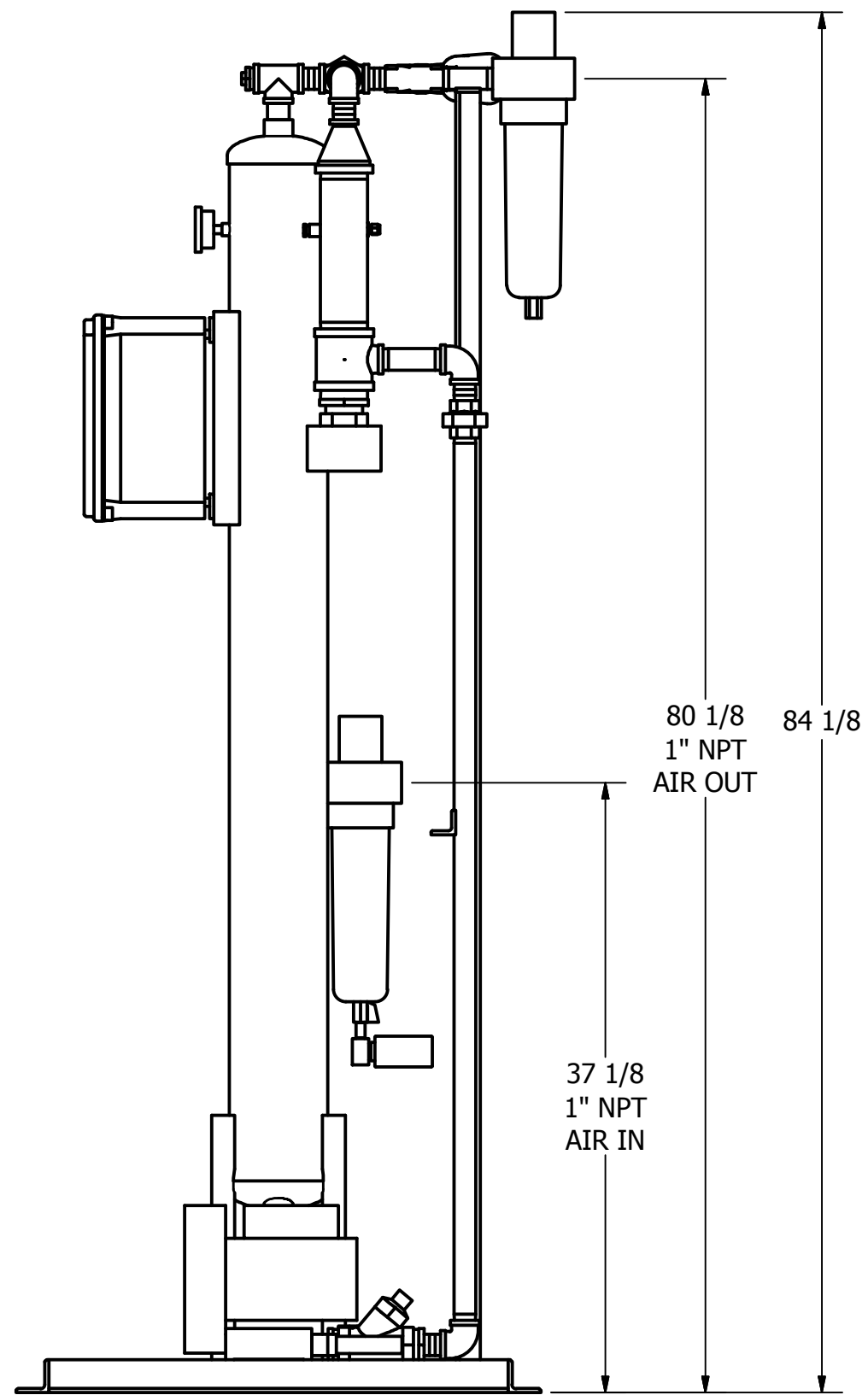
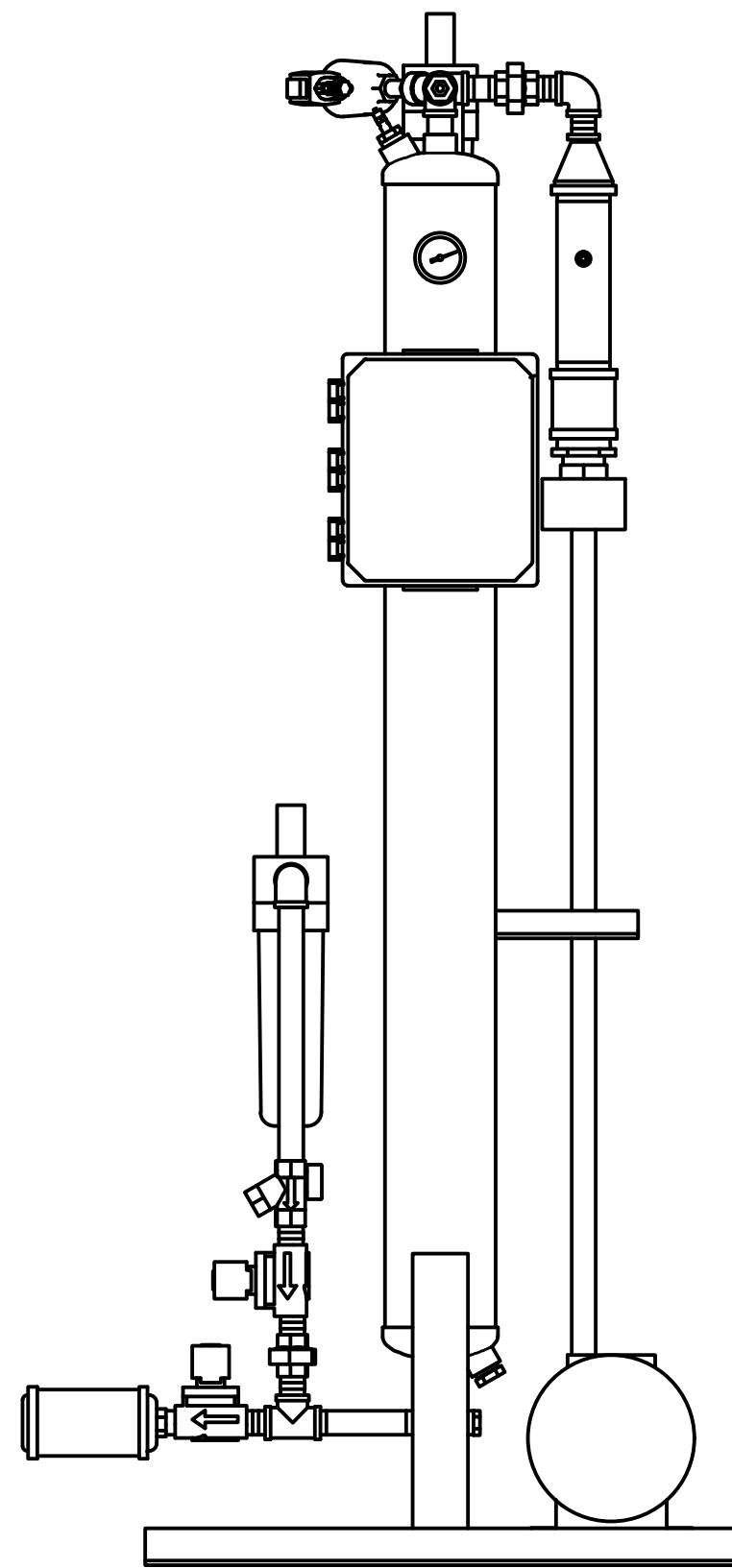
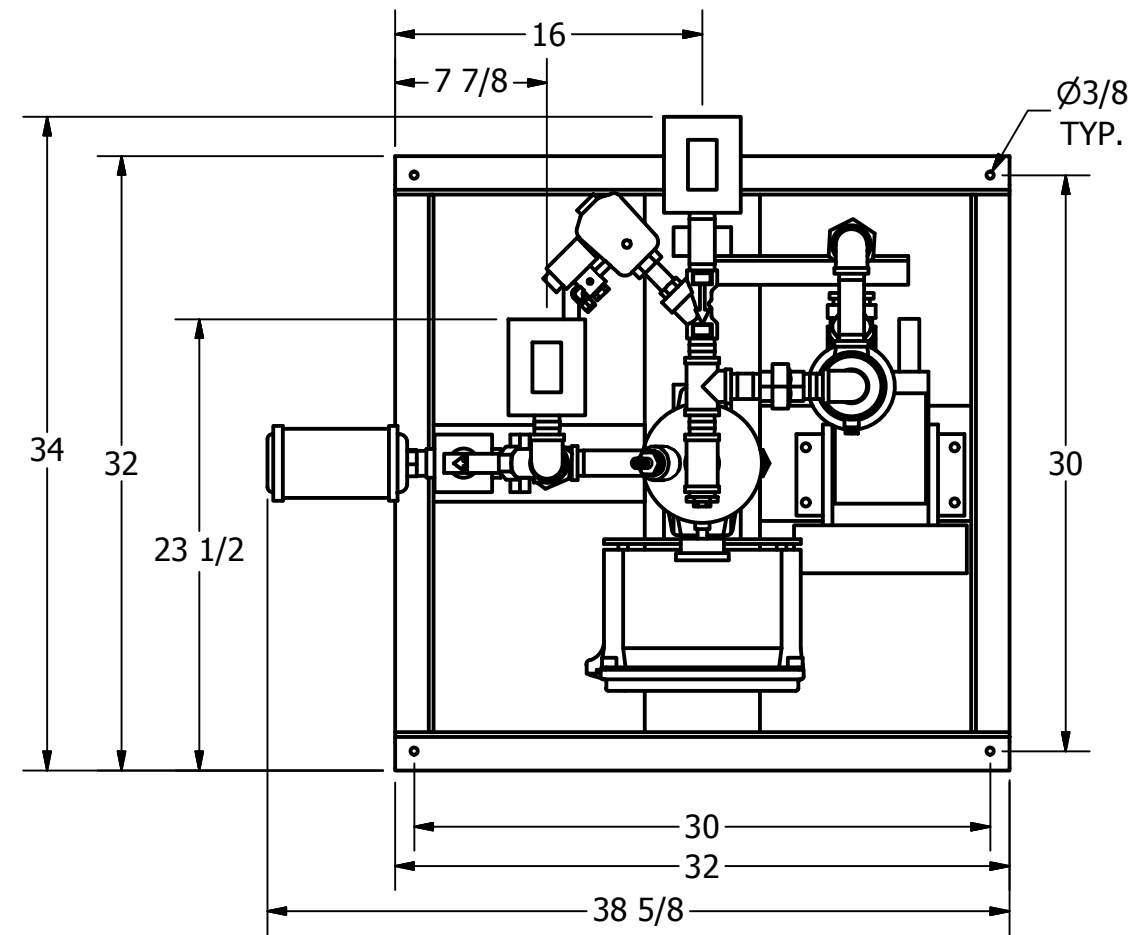
THE SPECIFICATIONS AND DRAWINGS DISCLOSED HEREIN ARE THE SOLE PROPERTY OF ALTEC AIR, AND SHALL NOT BE COPIED OR USED AS THE BASIS FOR SALE OR MANUFACTURE WITHOUT EXPRESS WRITTEN PERMISSION.

REVISION LOG

REV.	ECO.	DESCRIPTION	DATE	APPROVED
D	0921	PRODUCTION UPDATES	12/23/2019	WS

DRAWING NO. **AT20-765** REV. **D**

DRAWN: MR DATE: 3/11/2016
 CHECKED: DATE: SCALE: N/A SHEET: 1 OF 2



PRELIMINARY



HBS-0060-1 SINGLE TOWER DESICCANT AIR DRYER GENERAL ARRANGEMENT

TOLERANCES UNLESS
OTHERWISE SPECIFIED:

- FRACTIONS = ± 1/4 "
- ANGLES = ± 3°
- INCHES = ± 1/2 "
- FINISH = 250

THE SPECIFICATIONS AND DRAWINGS DISCLOSED HEREIN ARE THE SOLE PROPERTY OF ALTEC AIR, AND SHALL NOT BE COPIED OR USED AS THE BASIS FOR SALE OR MANUFACTURE WITHOUT EXPRESS WRITTEN PERMISSION.

REVISION LOG

REV.	ECO.	DESCRIPTION	DATE	APPROVED
D	0921	PRODUCTION UPDATES	12/23/2019	WS

DRAWING NO.

AT20-765

REV.
D

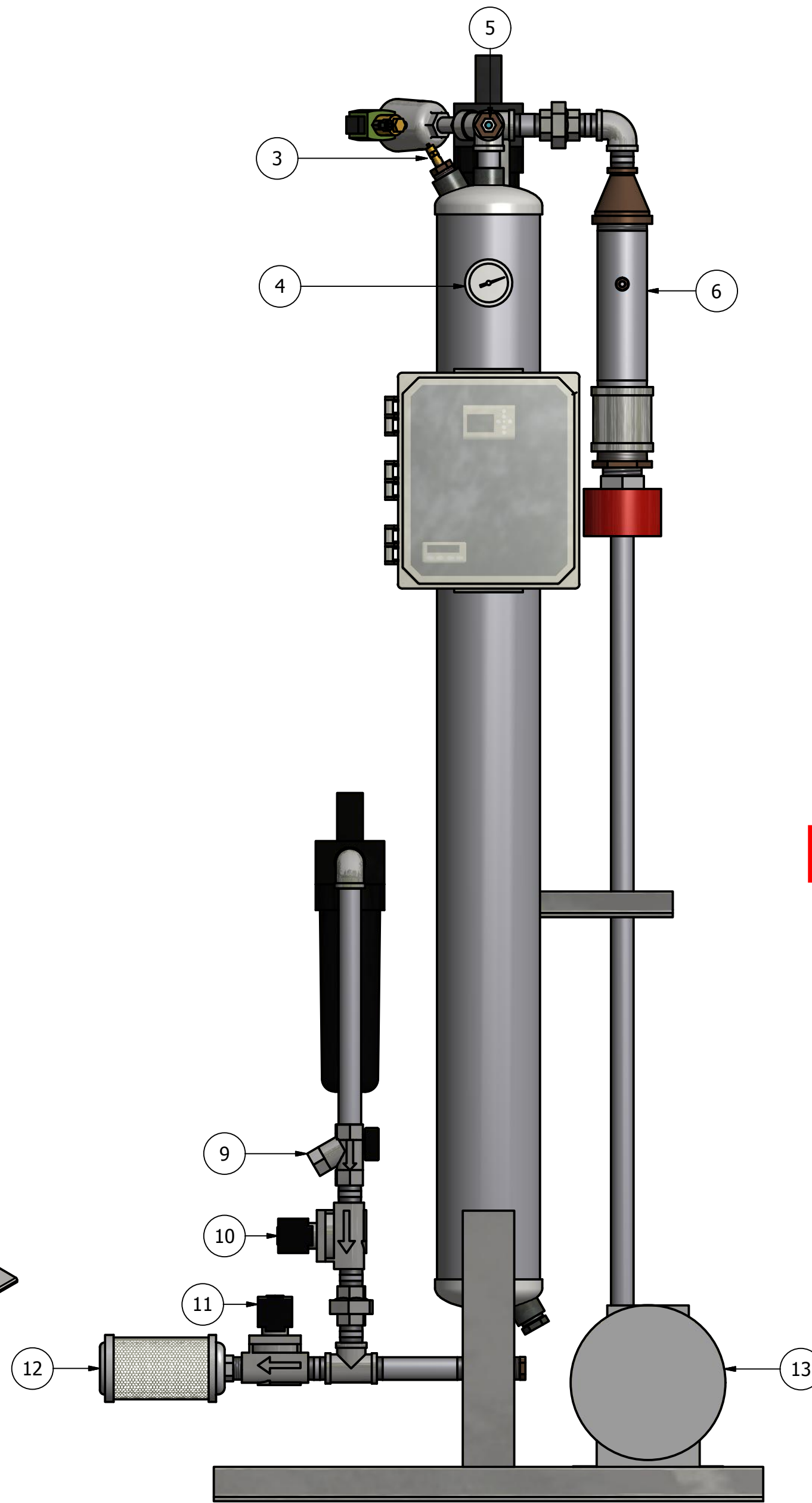
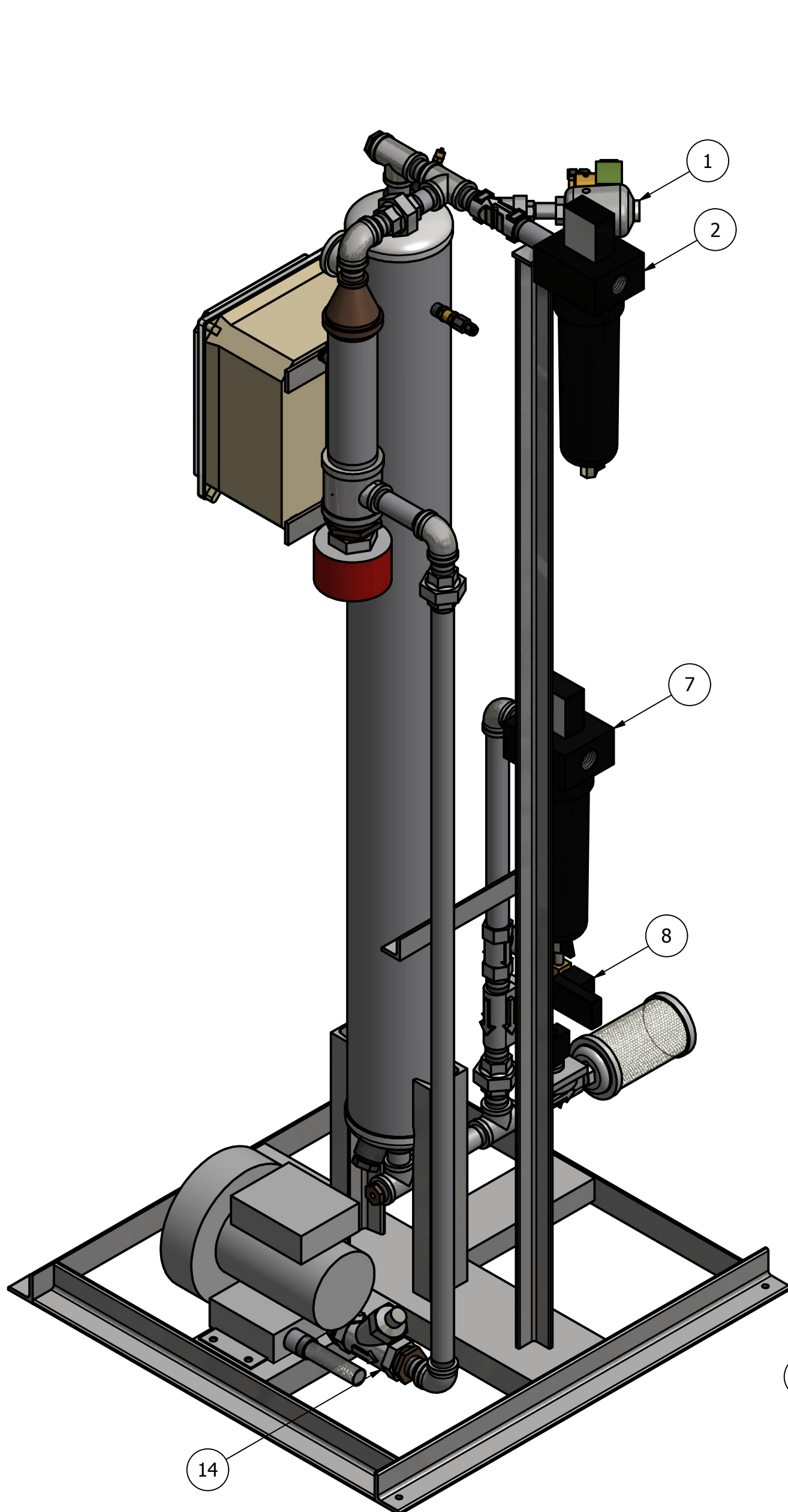
DRAWN: MR DATE: 3/11/2016
CHECKED: DATE:

SCALE: N/A

SHEET: 2 OF 2

PARTS LIST

ITEM	QTY	DESCRIPTION
1	1	ANGLE BODY VALVE, OUTLET
2	1	PARTICULATE AFTER FILTER
3	1	RELIEF VALVE, TANK
4	1	PRESSURE GAUGE, TANK
5	1	MOISTURE INDICATOR
6	1	1.5 KW HEATER
7	1	COALESCER PRE-FILTER
8	1	TIMED DRAIN
9	1	CHECK VALVE, INLET
10	1	SOLENOID VALVE, INLET
11	1	SOLENOID VALVE, EXHAUST
12	1	MUFFLER, EXHAUST
13	1	1/2 HP BLOWER
14	1	CHECK VALVE, BLOWER
15	50 LBS	DESICCANT



PRELIMINARY